

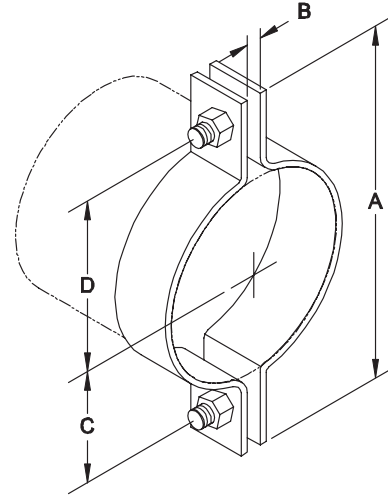


Pipe Clamp for Sway Bracing

4/4A

Technical Features

- Available for pipe sizes (Nominal) : DN25/1" to DN200/8". To be used together with bracing pipe against sway and seismic disturbances.
- Material : Carbon steel.
- Finish : Plain.
- Specifications : Design and dimensions conform to MSS SP-69 Type 4. Meets U.L. 203A requirements for attachment of sway bracing as shown in the Performance Data table.



1 - When used with other Tolco® bracing products.

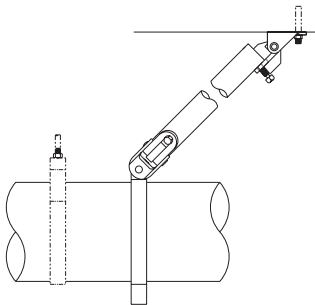
Pipe Clamp for Sway Bracing - 4/4A Performance Data

Nominal Pipe Size (metric / inch)	Max. Horizontal Design Load (kg / lbs)
DN25 (1") to DN50 (2")	172 / 380
DN65 (2 1/2")	179 / 395
DN80 (3")	197 / 435
DN100 (4")	914 / 2015
DN125 (5")	914 / 2015
DN150 (6")	914 / 2015
DN200 (8")	914 / 2015

Pipe Clamp for Sway Bracing - 4/4A

Physical Data

Nominal Pipe Size		Dimensions (mm / inch)				Bolt Size (inch)	Max. Load (kg / lbs)	Box Quantity	Box Weight (kg / lbs)	References	
Metric	inch	A	B	C	D					Europe	Asia/Amer
DN25	1"	90.5 / 3.56	12.7 / 0.50	31.8 / 1.25	39.7 / 1.56	5/16"	227 / 500	50	8 / 18	4-0100	4-0100
DN32	1 1/4"	106.4 / 4.19	12.7 / 0.50	34.9 / 1.38	50.8 / 2.00	5/16"	227 / 500	50	9 / 20	4-0125	4-0125
DN40	1 1/2"	108.0 / 4.25	12.7 / 0.50	38.1 / 1.50	50.8 / 2.00	5/16"	363 / 800	50	10 / 21	4-0150	4-0150
DN50	2"	127.0 / 5.00	12.7 / 0.50	50.8 / 2.00	57.2 / 2.25	3/8"	472 / 1040	50	21 / 47	4-0200	4-0200
DN65	2 1/2"	149.2 / 5.88	15.9 / 0.63	57.2 / 2.25	57.2 / 2.25	1/2"	472 / 1040	25	14 / 32	4-0250	4-0250
DN80	3"	171.5 / 6.75	15.9 / 0.63	76.2 / 3.00	76.2 / 3.00	1/2"	472 / 1040	25	16 / 35	4-0300	4-0300
DN100	4"	216 / 8.5	14.3 / 0.56	85.7 / 3.38	93.7 / 3.69	1/2"	914 / 2015	25	25 / 55	4A400	4A-400
DN125	5"	248 / 9.8	14.3 / 0.56	98.4 / 3.88	111.1 / 4.38	1/2"	914 / 2015	10	12 / 25	4A500	4A-500
DN150	6"	292 / 11.5	15.9 / 0.63	127.0 / 5.00	130.2 / 5.13	1/2"	914 / 2015	10	23 / 51	4A600	4A-600
DN200	8"	337 / 13.3	19.1 / 0.75	169.4 / 6.69	155.6 / 6.13	1/2"	914 / 2015	5	14 / 30	4A800	4A-800



Shown as a Longitudinal Brace together with quantity two (2) Universal Sway Brace Attachments 980 and bracing pipe.

Shown as a Transverse Brace together with quantity two (2) Universal Sway Brace Attachments 980 and channel brace.

